



INSTALLATION MANUAL



Adjustable Height Bath Panel

Thank you for choosing a Better Bathrooms Product

Please read this user manual before installing and using this product

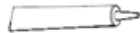
Keep it safe for future reference.

Visit our page www.betterbathrooms.com/ for our entire range of Panels

INSTALLATION TOOLS



Tape measure
(3m~5m)



Silicone



Pencil



Screwdriver



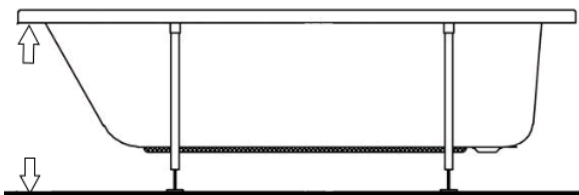
Spirit Level

PANEL INSTALLATION

The bath should be set into position and adjusted to the required height and levelled.

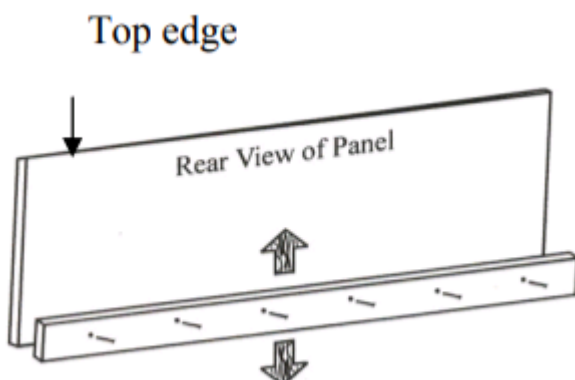
Take the sections of the bath panels and lay them down onto the flat surface which is protected to prevent scratching.

Measure the height from the floor to the underside of the bath rim, this will set the height of the panel.



Once the height is set, place the small section of the bath panel onto the rear of the large section of the bath panel and adjust to the required height of your bath.

When the correct height is achieved, secure the two sections together using a suitable length woodscrew - not supplied (ensuring this is not too long that it will exit the front of the large panel section)



PANEL INSTALLATION

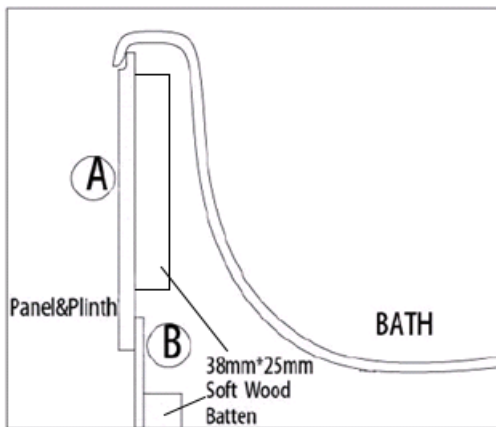
A frame will then need to be built to secure the panel into position.

Place the panel to the bath and ensuring this is vertical, mark the floor at the point where the back edge of the small section of the panel meets the floor.

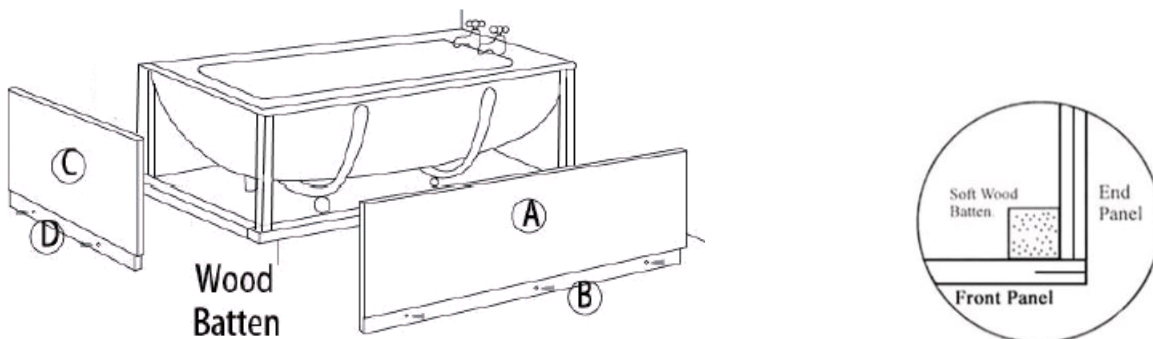
Next mark the front edge of the large panel where it meets the wall, remove this, then measure the thickness of the panel and make another mark back from the first, this will set the position of the batten to secure the panel.

Checking the floor for pipes and wires, secure a wooden batten (not supplied) to the floor in line with the mark.

Checking the wall for pipes and wires, at each end of the bath secure a batten to the wall, not all the way to the floor to accommodate the small section of the panel.



If you are using an end panel, you will also require a corner post to be built to support the join between the end and front panel, some of this post may require notching out at the bottom to accommodate the small section section of the panel.



We recommend any cut sections of panel, joins, along the top edge where the panel meets the bath and along the bottom where the panel meets the floor are all sealed to prevent water ingress.

CLEANING AND MAINTENANCE

Wipe the product clean and dry regularly, especially when the product is subject to steam or splashes.

Do not use harsh chemicals or materials on the product, as this will damage the product and invalidate your guarantee.

To clean and maintain the product, wipe using a clean damp cloth and wipe dry with a soft cloth.

UK SUPPORT

Call: 0871 244 0935

Office hours: 9AM - 5PM Monday to Friday

www.BetterBathrooms.com

Unit J6, Lowfields Business Park

Lowfields Way, Elland

West Yorkshire, HX5 9DA